

DK180 LF-ULD

Low-Frequency Underwater Locating Device (ULD) for Aviation



Airframe-Mounted Underwater Locating Devices

The DK180 ULD is Dukane Seacom's airframe-mounted underwater locating device. Capable of operation at depths up to 20,000 feet (6096 m), the DK180 is detectable at a range of 7 to 12 nautical miles (12 to 22 nautical kilometers).

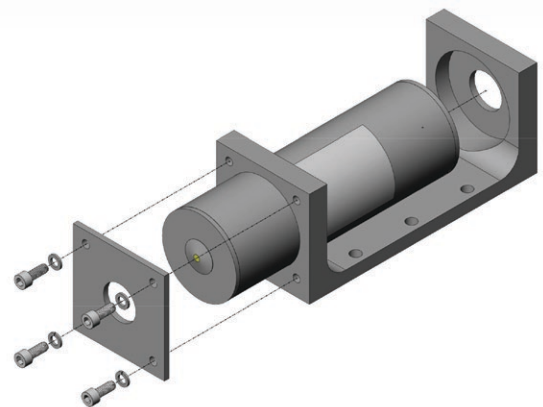
The DK180 automatically activates upon immersion into any type of water. Designed for any type of aircraft, it can be mounted anywhere on the aircraft using Dukane Seacom's bracket N30A28 or a custom-designed bracket specific to your aircraft. The DK180 is compliant with the mounting provisions of ARINC 667, Installation Standards for Low-Frequency Underwater Locator Beacons.

The DK180 meets TSO-C200a for Low-Frequency Underwater Locating Devices, TSO-C142a for Non-Rechargeable Lithium Cells and Batteries, and SAE AS6254a, which is the Minimum Performance Standard for Low-Frequency Underwater Locating Devices. In addition, the DK180 meets DO-227, the Minimum Operational Performance Standards for Lithium Batteries.

Dukane Seacom also offers the TS500 ULD Tester that supports operational testing of the DK180 as well as all of the other Dukane Seacom ULDs, including 37.5 kHz ULDs.

KEY FEATURES

- ▶ Transmits an 8.8 kHz low-frequency signal
- ▶ Airframe-mounted
- ▶ TSO-C200a/ETSO-C200a per SAE AS6254 compliant
- ▶ DO-277 compliant
- ▶ Tested to D0160G
- ▶ Watertight aluminum housing
- ▶ Detectable at a range of 7 NM to 12 NM (12 km to 22 km)
- ▶ Capable of operation at depths up to 20,000 feet (6,096 m)
- ▶ 90-day operation



DUKANE SEACOM

A HEICO COMPANY

DK180 LF-ULD

Low-Frequency Underwater Locating Device (ULD) for Aviation

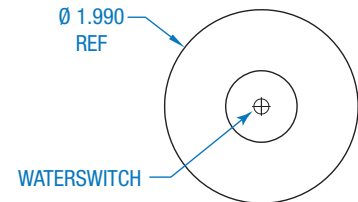
SPECIFICATIONS

Operating Frequency	8.8 kHz \pm 1 kHz
Operating Depth	Surface to 20,000 feet (6,096 meters)
Pulse Length	10 milliseconds minimum
Pulse Repetition Rate	10 seconds maximum (9.35 seconds minimum)
Useful Life	6 years
Operating Life	90 days (minimum)
Acoustic Output, Initial	1000 dynes/cm ² rms pressure at 1 meter (160 dB)
Acoustic Output, After 30 Days	700 dynes/cm ² rms pressure at 1 meter (157 dB)
Operating Temperature	+28°F to +100°F (-2.2°C to +37.8°C)
Actuation	Fresh or salt water
Radiation Pattern	Rated output over 80 percent of sphere
Size	1.99" diameter x 6.072" long (5.05 cm diameter x 15.42 cm long)
Weight	Less than 26 oz (725 grams) (including battery)
Material	7075-T6 Aluminum, chromate (clear) finish
Power Source	Lithium Battery, single cell. Factory replaceable.
Storage Temperature	-67°F to +185°F (-55°C to +85°C)
FAA Authorized	TSO-C200a (ULD) TSO-C142a (ULD Battery)
Warranty	6 years

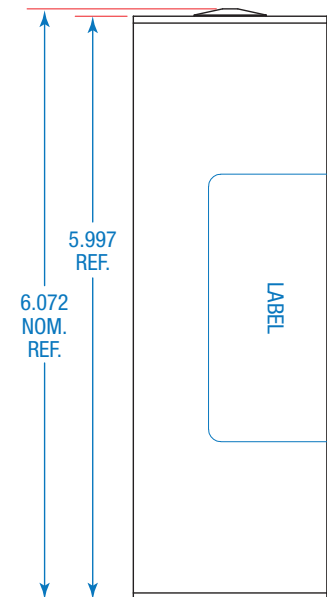
Contact the factory for specific STC/ESTC information.

PRODUCT DIMENSIONS

End View



Side View



DUKANE SEACOM
A HEICO COMPANY

7135 16th Street East, Suite 101 | Sarasota, FL 34243

T: 941.739.3200 | F: 941.739.3201

Data, including specifications, contained within this document are summary in nature and subject to change at any time without notice at Radiant Power Corp./Dukane Seacom Inc.'s discretion. Call for latest revision. All brand names and product names referenced are trademarks, registered trademarks, or trade names of their respective holders.

SSDK180LF-RA 040123

www.DukaneSeacom.com